

Easy Lessons For Learner Drivers Learning To Drive: A Comprehensive Guide

Learning to drive can be a daunting task, but it doesn't have to be. With the right lessons and guidance, you can become a confident and safe driver in no time. This comprehensive guide provides easy lessons for learner drivers, covering everything from basic car controls to advanced driving techniques.



EASY LESSONS FOR LEARNER DRIVERS (Learning to Drive) by JAMES DUGGAN

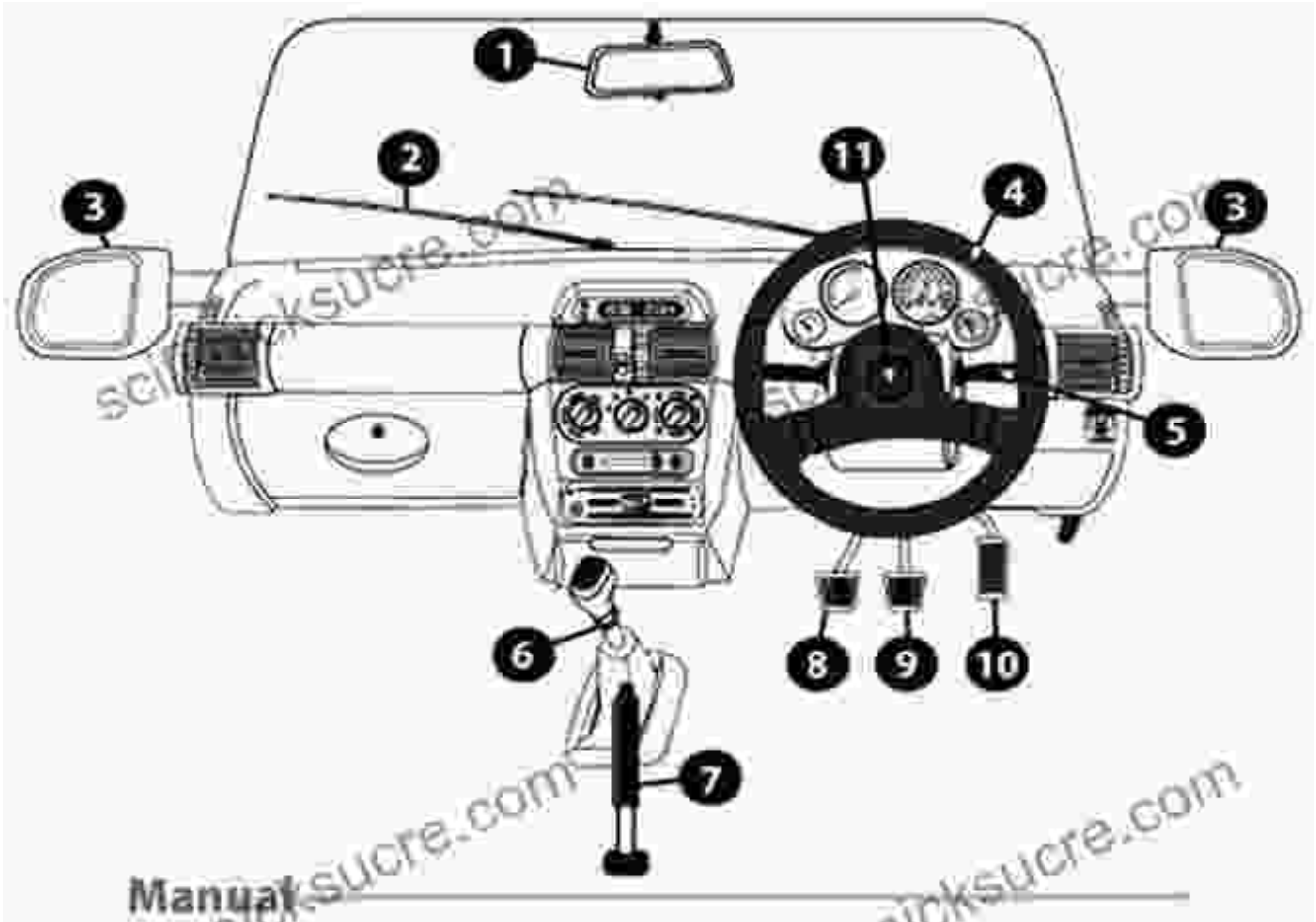
★★★★☆ 4.3 out of 5

Language : English
File size : 8702 KB
Text-to-Speech : Enabled
Screen Reader : Supported
Enhanced typesetting : Enabled
Word Wise : Enabled
Print length : 316 pages
Lending : Enabled



Lesson 1: Getting Started

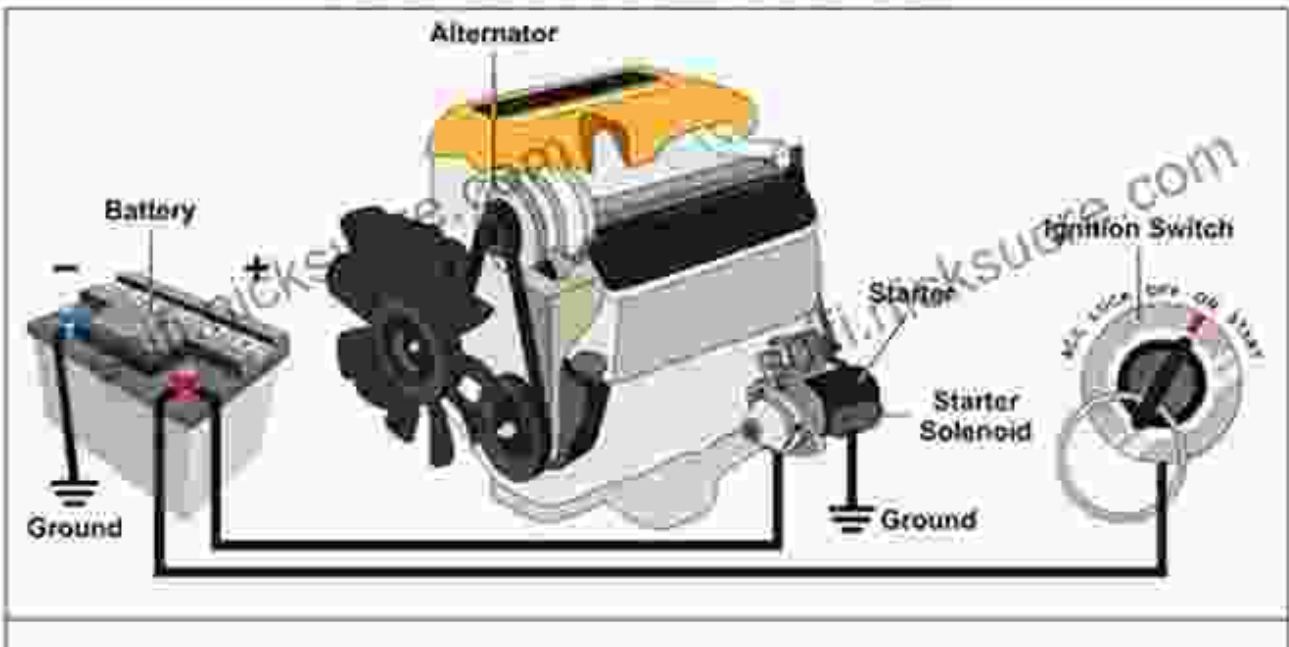
Before you get behind the wheel, it's important to learn the basics of car controls. This includes understanding the steering wheel, pedals, and gearshift. You should also be familiar with the dashboard and how to use the different gauges and controls.



Lesson 2: Starting and Stopping the Car

Once you're familiar with the car controls, it's time to learn how to start and stop the car. To start the car, simply insert the key into the ignition and turn it to the "on" position. Then, press the brake pedal and shift the gearshift into drive. To stop the car, simply press the brake pedal and shift the gearshift into park.

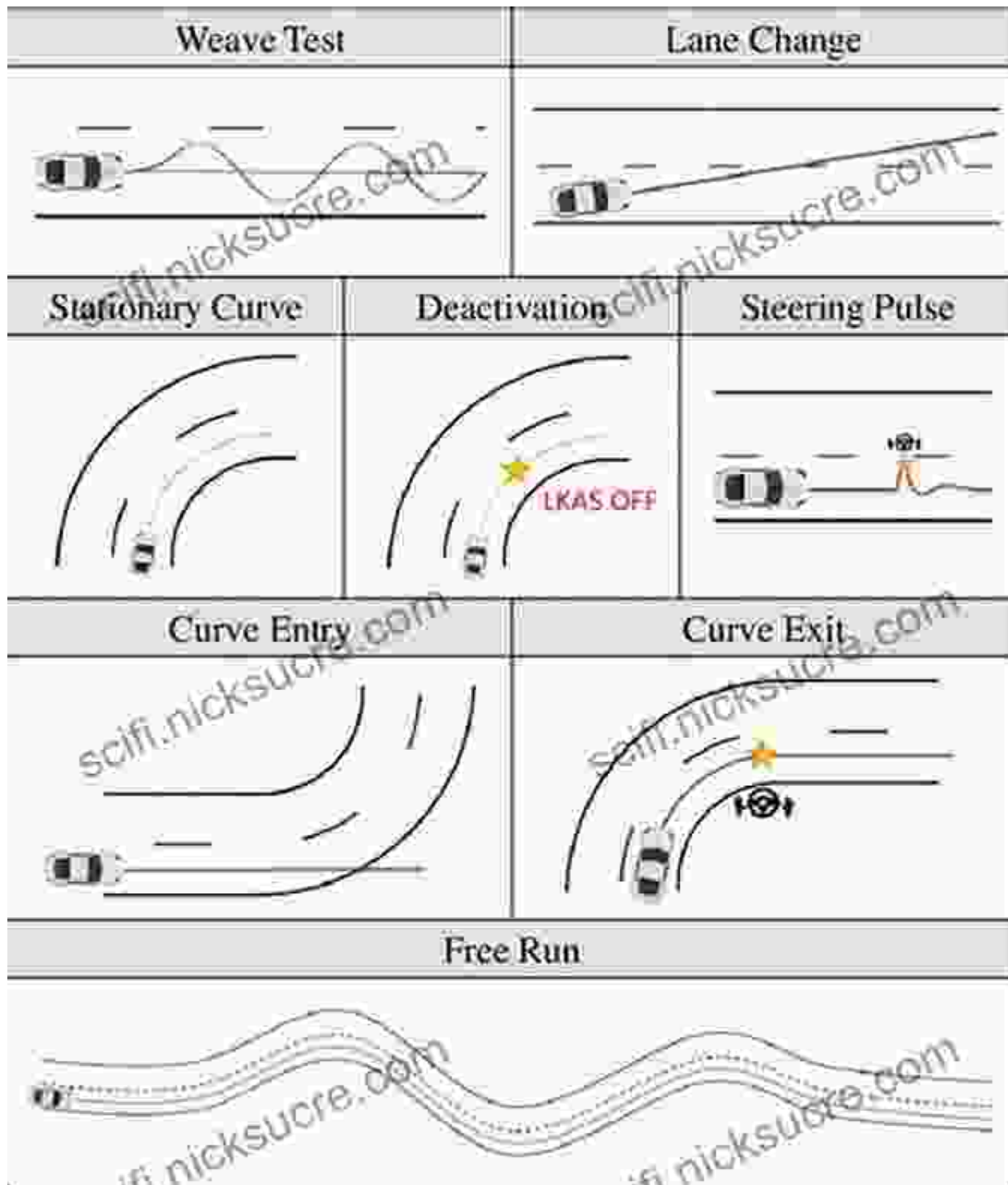
STARTING SYSTEM DIAGRAM



Wiring Diagram: STARTING SYSTEM

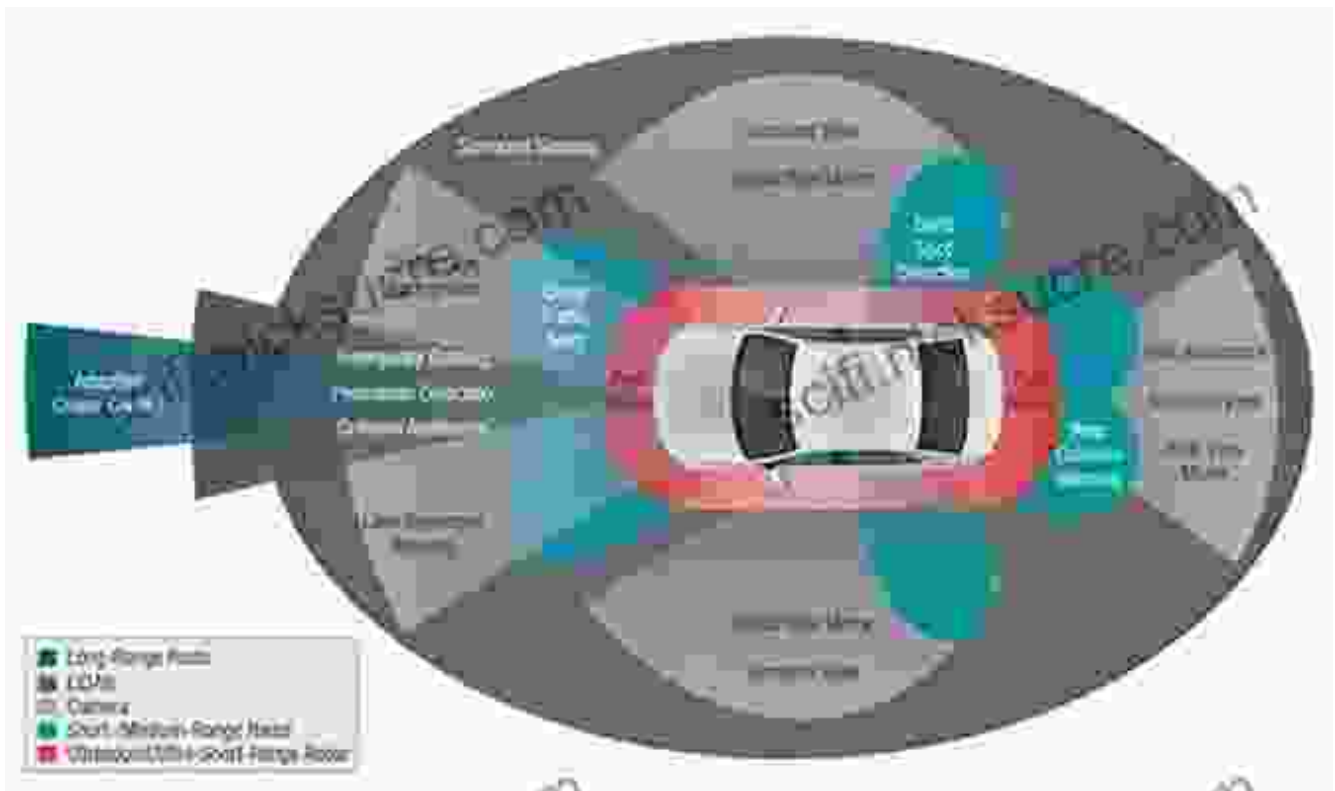
Lesson 3: Basic Driving Maneuvers

Once you're comfortable starting and stopping the car, it's time to learn some basic driving maneuvers. This includes learning how to turn, accelerate, and brake. You should also practice driving in different conditions, such as in traffic or on the highway.



Lesson 4: Advanced Driving Techniques

Once you've mastered the basics, you can start learning some more advanced driving techniques. This includes learning how to parallel park, drive in reverse, and handle different road conditions. You should also practice driving in different weather conditions, such as in the rain or snow.



Lesson 5: Staying Safe on the Road

The most important part of driving is staying safe on the road. This includes obeying the speed limit, wearing your seatbelt, and avoiding distractions. You should also be aware of your surroundings and anticipate potential hazards.



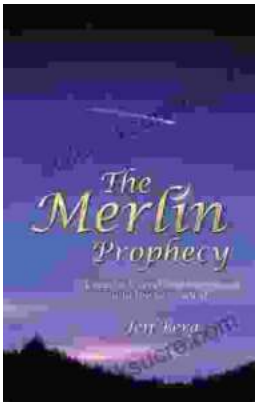
Learning to drive is a valuable skill that can give you a sense of freedom and independence. With the right lessons and guidance, you can become a confident and safe driver in no time. Just remember to practice regularly and always obey the rules of the road.

EASY LESSONS FOR LEARNER DRIVERS (Learning to Drive) by JAMES DUGGAN



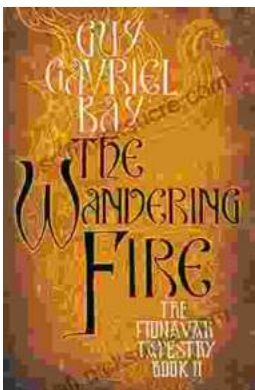
★★★★☆ 4.3 out of 5

Language : English
File size : 8702 KB
Text-to-Speech : Enabled
Screen Reader : Supported
Enhanced typesetting : Enabled
Word Wise : Enabled
Print length : 316 pages
Lending : Enabled



Mystic Legend and His Epic Crusade Into the New World: A Comprehensive Exploration

The story of Mystic Legend is a tale of adventure, discovery, and the clash of cultures. It is a story that has been passed down through generations, and it is...



The Wandering Fire: A Captivating Fantasy Epic in the Fionavar Tapestry

: A Realm of Enchantment and Adventure Welcome to the enigmatic realm of Fionavar, a world where ancient magic, heroic quests, and the battle between good and evil intertwine....